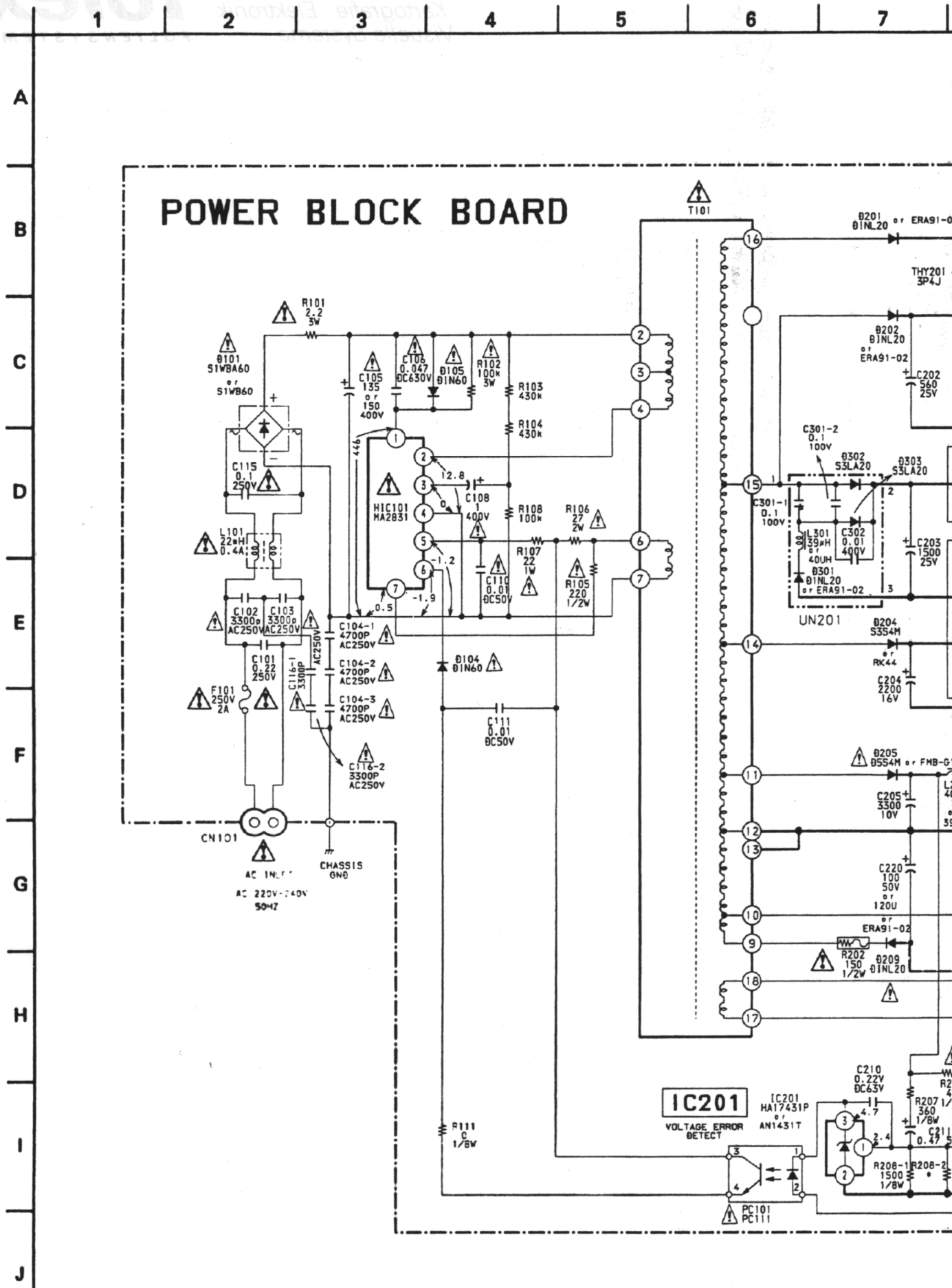


[SCHEMATIC DIAGRAM]

- Ref. No.: Power Block Board; 10,000 series -

POWER SUPPLY



PPLY POWER SUPPLY

8

9

10

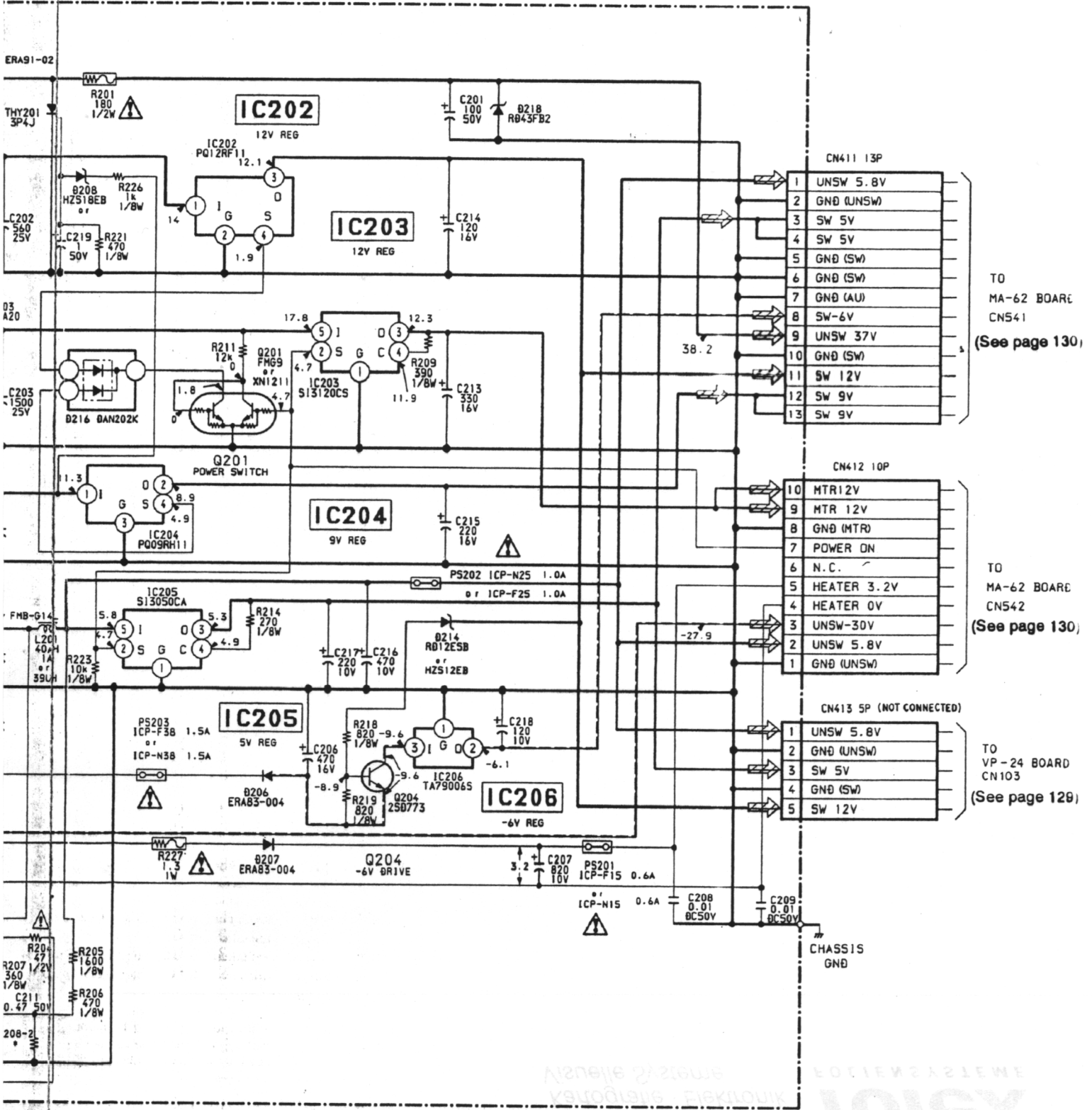
11

12

13

14

15



TO
MA-62 BOARD
CN541
(See page 130)

TO
MA-62 BOARD
CN542
(See page 130)

TO
VP-24 BOARD
CN103
(See page 129)